

RK307 G7

Rail King

MOBILE RAILCAR MOVER

Up to 47,320 lbs
Tractive Effort



Standard Equipment

Cab Air ride operator command pod with easy controls, jump seat, integrated air conditioning and heating systems, floor mat

Windows tinted, full view on front, safety glass

Lights LED light package with strobe lights

Air 100 CFM total, dual air compressors

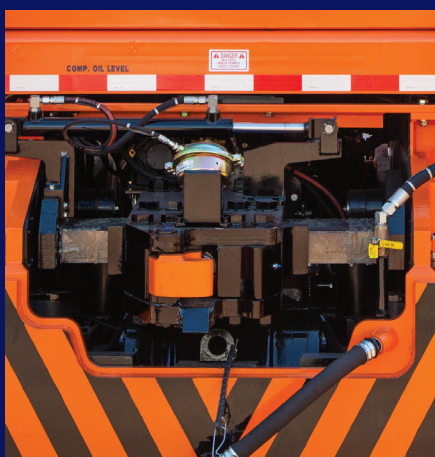
Cameras Live view, 360 degree camera system

Design Features

- Cummins QSB 6.7L Tier 4F
- Funk DF150 4-speed automatic transmission
- John Deere Inboard Planetary Axels
- Cushioned coupler system
- Friction road wheel drive
- Full width integral bumpers to protect drive train
- RoyalGlide operator comfort system
- Ergonomically designed sole mount cab layout



Innovative weight transfer system



Self-contained operator cab



RK307 G7

SPECIFICATIONS

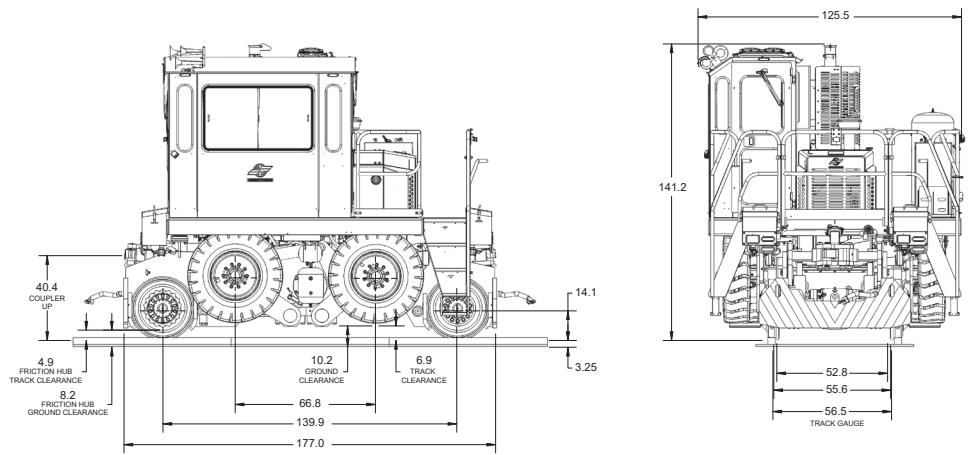
Weight	43,400 lbs	
Length	177"	449.6 cm
Width	120"	304.8 cm
Height (on road)	142"	360.7 cm
Height (on rail)	132"	335.28 cm
Rail Clearance	3"	7.62 cm
Road Clearance	10"	25.4 cm
Speeds (Fwd & Rev)	4	
On road, top speed	9 mph	14.4 km/h
On rail, top speed	15 mph	24.1 km/h

ENGINE

Make	Cummins
Model	QSB 6.7
Type	Electronic, 4-cycle, turbocharged diesel
Rated Power	173 bhp @ 2,300 rpm
Fuel Tank	60 gal (227 liters)
Features	US EPA Tier 4(f) (EU Stage IV) compliant

MAXIMUM TRACTIVE EFFORT

When both couplers are used	47,320 lb
When one coupler is used	30,820 lb



Frame Heavy-duty one piece, welded from 2" steel plate. Full width bumpers incorporate powertrain protection into design.

Engine Powered by the popular Cummins QSB6.7 Tier 4 final engine with fully integrated EcoFit Ultra-low Emissions systems. Results are increased power output lower fuel consumption and reduced noise and engine vibration. Utilizes Ultra Low Sulfur Diesel fuel and DEF (diesel exhaust fluid).

Transmission John Deere/Funk DF150 Powershift with torque converter. Four speeds forward and reverse; automatic or manual shift, operator controlled start in second feature.

Rail & Road-Drive Axles John Deere 1400 Series Heavy Duty High Torque, with no spin differentials and inboard planetary axles. Friction road wheel drive transmitted from rail axle incorporates separate braking system. Does not require special tires. Rail shock absorption system with easily replaceable suspension elements is standard.

Brakes

Rail Wheel Axles: Inboard multiple wet-disk brakes. Protected from contaminants and can last up to four times longer than dry-disk brakes. Spark-free.

Road Wheel: Heavy duty disc and caliper, hydraulic actuated.

Train Air Brakes: Push-button operated to release or fully apply, train air hold feature standard.

Wheels

Rail: 28" diameter heat-treated cast steel. Bolt on, hardened flange with tapered tread contour.

Road: 12:00 x 20 Heavy duty rock lug industrial tires.

Pneumatic System High capacity 100 cfm air compressor system. Includes two compressors, reservoirs with drains and dryers.

Power Steering Full hydrostatic power steering with improved turning radius.

Couplers Two weight-transfer couplers made from fabricated steel (no castings).

Heavy-duty coupler system operates on a center pivot housed in a massive synthetic rubber cushion pressed into both sides of the frame.

Sanders Large capacity, replaceable steel sandboxes and eight air-operated sanding tubes with easy clean receivers: two for each rail wheel, front and back.

Dual Direction Side Mounted Cab Multiple windows with tinted safety glass provide excellent visibility around unit. Ample headroom and full size door permits easy access. Protected from rail shock and vibration by RoyalGlide operator comfort system.

Controls Full color touchscreen display with consolidated contours and a canbus electrical network allows operators to view and control in real time.

Other features 3 trumpet air blast horn, full LED light package, 6 camera safety monitoring system with live, 360 degree view.

Contact Us Today!
281-345-5110

Rail King Headquarters
10750 Telge Road | Houston, TX 77095
sales@railking.net | www.railking.net



Scan for
more info